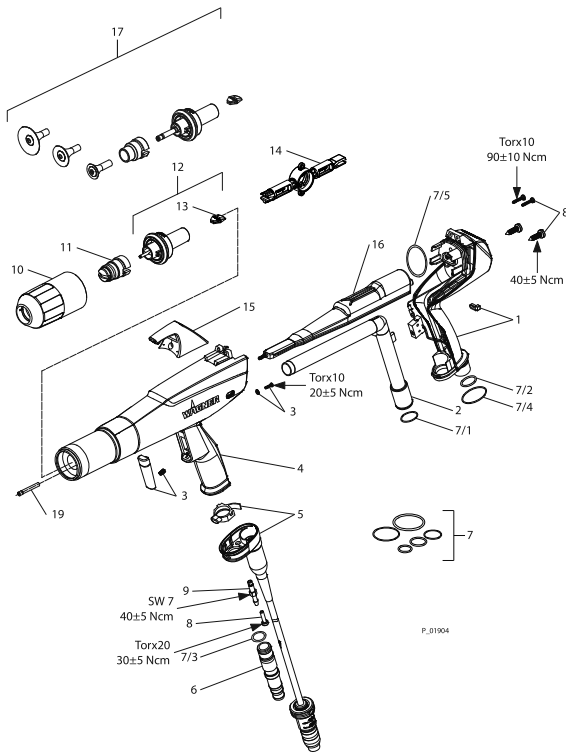


5.2 PEM-X1 CORONA MANUAL GUN



PEM-X1 manual gun

Pos	K	Stk	Order No.	Designation
1		1	2334277	PEM-X1 ET cable assembly
2		1	2324123	PEM-X1 ET powder tube
3	◆	1	2334276	PEM-X1/PEM-X1 CG ET trigger
4		1	2332540	PEM-X1 ET housing
5	◆	1	2334275	PEM-X1 ET 6m, 19.69 ft manual gun cable
5	◆	1	2334568	PEM-X1 ET 15m, 49.21 ft manual gun cable
6	◆ ★	1	2322761	Hose fitting, D10-D12, complete
7	◆ ★	1	2334316	PEM-X1 ET O-ring set
8		1	2334316	PEM-X1 ET screw set, consists of:
		1	--	Socket cap screw with globe socket
		2	--	Plastic tapping screw
		2	--	PT screw fillister head Torx®
9		1	2321978	Hose fitting
10		1	2320464	Union nut, X1
11	◆	1	2321976	Fan spray nozzle, X1, complete
12	◆ ★	1	2322529	Electrode holder, X1 F ET
13	◆	1	2320488	Replacement protective wedge, X1
14		1	2324205	Wedge tool, X1
15		1	2320330	Gun hook, X1 ET
16		1	2324136	Negative cascade, X1 ET
17		1	2322493	Electrode holder X1 R with nozzle (with PEM-X1 R design)
19		1	2320305	Filter element

- ◆ Wearing parts
- Not part of the standard equipment, but available as a special accessory
- ★ Only available as a set